



**FINGER PROTECTION DEVICE FP200**

**Roller system finger protection**

The FP200 can be fitted to most single and double action doors and is particularly suitable for automatic doors.

The FP200 provides effective protection against fingers being trapped on the hinge side of doors.

The strong fabric material, kept under constant tension covers the gap between the door and frame automatically when the door is opened.

The FP200 is available in a choice of finishes with black fabric. Other finishes are available to order - please enquire.

Additional hinge guard profiles are available to order.

**TECHNICAL DATA:**

Roller system specifications:

Maximum length: 1925mm (standard size)

Minimum length: 290mm

Finishes:

- White (RAL 9016)
- Silver Anodised
- Dark Bronze Anodised

Fabric Colour

- Black

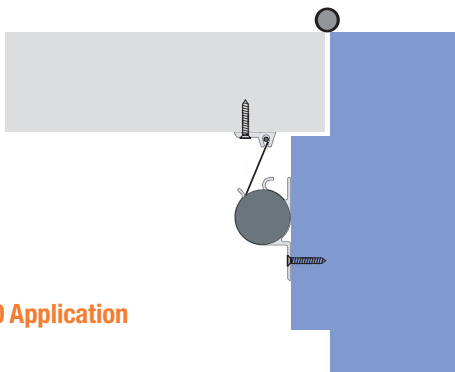
**FP200**

**Fabric colour**



Black

**SAA finish with black fabric**

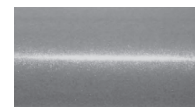


**FP200 Application**

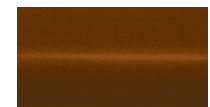
**FP200 Housing finish options**



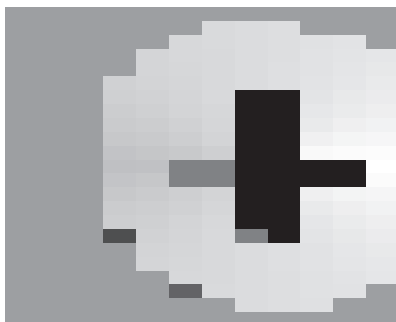
White  
powder coated  
RAL 9016



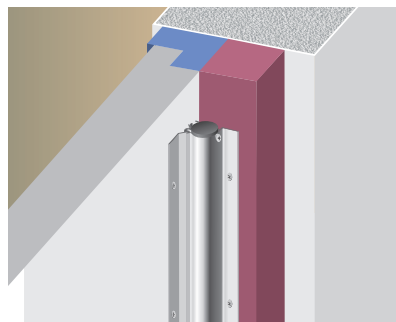
Satin  
silver anodised  
SAA



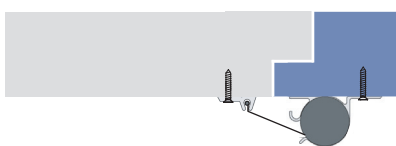
Dark  
bronze anodised  
DBA



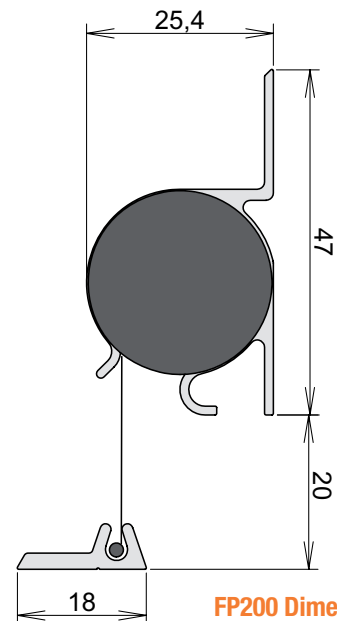
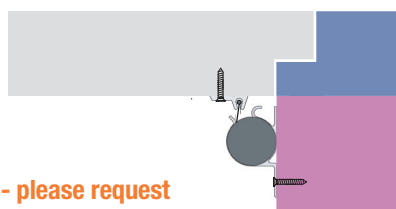
**FP200 Application**



**FP200 Application**



**Alternative application drawings available - please request**



**FP200 Dimensions**