

STRAND ANTIPANIC MODULAR



PH352 REVERSIBLE PUSH PAD LATCH

PH352 Reversible single point push pad exit latch

PH356 Reversible 3 point push pad exit bolt

PH358 Reversible 3 point push pad exit latch



All the devices of Emergency Exit Hardware (with push pad) have been tested and certified to BS EN 179: 2008.

This type of device is suitable for offices and premises where people are familiar with the exits and the hardware and therefore a panic situation is unlikely to develop.

Strand Antipanic Modular Push Pad

The push pad emergency exit range comprises of modular components from the push bar range together with a push pad and options of either vertical or side entry pullmans to give variants of one, two or three point latches or bolts.

The mechanism body, pullmans and vertical rod covers are available in powder coated finishes of silver, black, white or metallic silver. It is also available in satin stainless steel plated finish.

The push pad device is available in the finishes above and features a green photoluminescent insert.

Supplied with striker plates for timber doors, but available also for PVC-U, aluminium or steel doors.

Dogging Facility

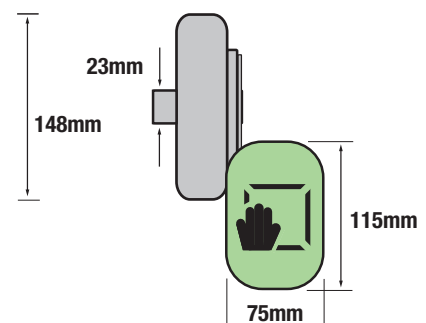
The modular range is available with or without a dogging facility – please specify at time of ordering. Please note that current legislation of BS EN179 specifies that for fire/ smoke door assemblies the emergency device shall not include any form of dogging mechanism. Therefore any device incorporating dogging can be used on escape doors only.

Microswitch

The modular range also offers the option of a micro-switch housed in the device. Please specify whether micro-switch is required at time of ordering.

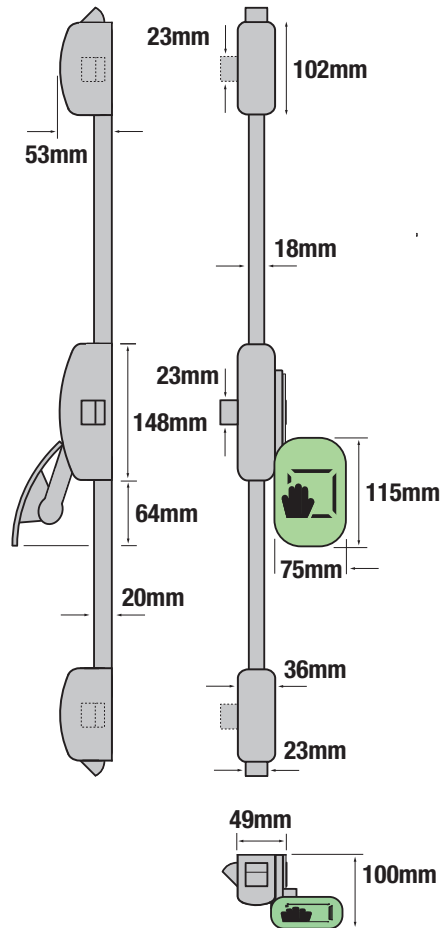
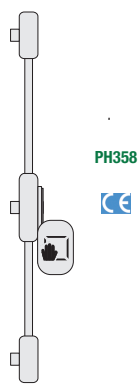
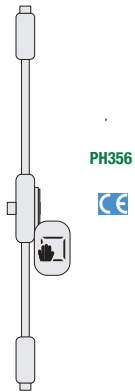
Outside Access

Optional outside access devices with lever handle or knob are available in various finishes (see page 9). These are available as standard or key retaining versions. Where outside access is required, a hole pierced to take an 8mm square spindle and two further holes of 10mm diameter for the screw ports will be required to connect the device and outside access together.



**STRAND ANTIPANIC MODULAR
PUSH PAD LATCHES PH352 / PH358**

**PUSH PAD EXIT BOLT PH356
CLASSIFICATION BS EN179
(3-7-7-B-1-4-4-2-B-A)**



Handing of Reversible Devices

All devices can be converted from left hand to right hand in minutes. Simply remove the two screws together with bracket and rotate the arm to the opposite position. Replace bracket and screws. The push pad is simply positioned into aperture of arm and secured with grub screw.

Size of Doors

To suit doors up to 2585mm high: Extra long vertical rods are available for doors up to 3150mm high.

Finishes

The finishes below are applicable to all products of the modular push pad range.

Fixing

Entirely surface mounted except where outside access function is required. Full instructions are supplied with each device.

Packaging

Individually packed in a strong purpose made cardboard carton.

Powder coated	Plated Finishes
Silver EPS (20)	Satin Stainless Steel Plated SSSP (44)
Black EPB (01)	
White EPW (25)	
Metallic Silver MSP (59)	
Other colours (00) may be produced to special order	