

K500 -

Standard Model with Adjustable Tubular Deadlocking Latch

Use the **Keylex 500** on all standard duty, low security internal door installations. Always choose the **K2100K** option for military, police and fire service installations. The narrow stile **Keylex 500** design, with its built-in clutch mechanism protecting the lock furniture, will suit all clear stile widths down to 80mm and is particularly suited for use on timber and composite doors.

The **Keylex 500** can be expected to give many years' service if specified and maintained correctly.

Standard Features & Benefits

- **Standard duty mechanism -**
Allows many hundreds of operations per day
- **Entirely mechanical operation -**
No electronics or electrical wiring involved
- **Allows code combinations of up to 12 buttons -**
Over 4,000 selectable code permutations (recommended 3 to 6 digit codes)
- **Code scramble -**
Allows all codes to be entered in any order
- **Slipping clutch mechanism -**
Nullifies forced attack or vandalism from the outside (excludes rim version)
- **Brushed stainless steel buttons -**
Will not indicate usage
- **Free Exit -**
Provides escape from the inside, without code entry, regardless of the lock status
- **Passage Function -**
Allows free passage from both sides at code users' discretion (excludes rim version - but see function description)



Adjustable Tubular Deadlocking Latch Function

This lock utilizes an adjustable tubular deadlocking latch (adjustable backset length between 60mm and 70mm) that locks the door every time the door closes.

An authorized code is required to override the lock from the outside unless the passage function is set to 'free'.

The door is always 'free from fixings' for immediate egress from the inside.



K500.LATCH
60mm backset & 70mm backset adjustable.

Suitability

The **Keylex 500** lock body and internal mechanism construction is cast zinc and solid brass with stainless steel code buttons and is suitable for use on all internal doors -

- Timber
- Aluminium
- Steel
- Composite

The **Keylex 500** suits door thicknesses between 30mm and 50mm standard. Please advise all door thicknesses in excess of 50mm.

The **Keylex 500** suits minimum clear stile widths of 80mm when used with the standard tubular deadlocking latch - (adjustable backset length between 60mm and 70mm).

NB - Stop depths may restrict suitability.

Rim Slide Bolt Function

Use this option where the door and frame design dictates that a mortice latch becomes impractical - e.g. where glazed doors will not allow a mortice.

This lock utilizes a solid rim mounted slide bolt - necessarily operated by a round knob outside with a turn snib on the inside. An authorized code is required to override the lock from the outside - passage function is achieved via the inside turn snib allowing the door to be left unlocked if required.

The door is always 'free from fixings' for immediate egress from the inside.



K500.RIM

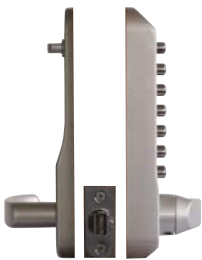
The backset length of the Rim Slide Bolt lock is not fixed but is adjustable. This dimension is dictated by the door and frame detail. Doors and frames do not need to be flush on the bolt side since the standard strike will accommodate jamb reveals when turned through 90 degrees.

Application Restriction

Do not use this product on military, police, fire service and other installations where heavy handed use/abuse can be expected. Specify **K2100** series.

Optional Features & Benefits

- Extended door kits -**
 Factory fitted modifications including extended fixings, spindles and free passage turns to suit doors up to 75mm thick



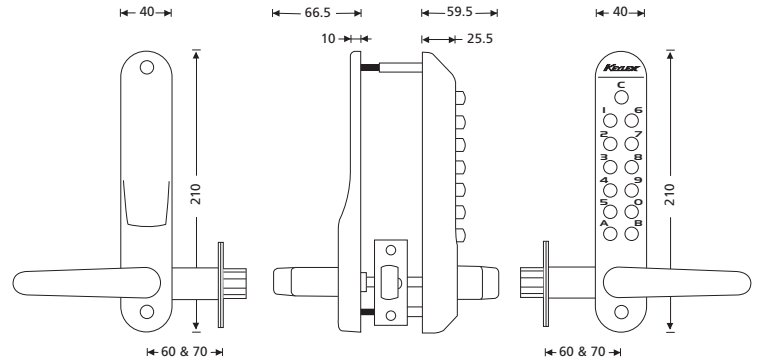
K500
Standard model with adjustable tubular deadlocking latch



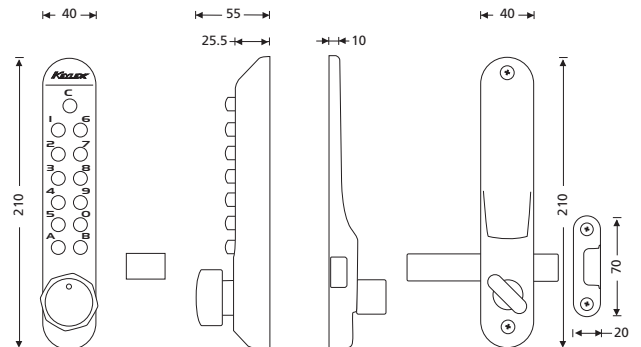
K500.RIM
Option with rim slide bolt

Critical Dimensions

K500 Standard Model with Adjustable Tubular Deadlocking Latch



K500.RIM Option with Rim Slide Bolt



How to Specify or Order

Part #	Description
K500L.60/70.SC	Digital Lock (Levers) - 60mm/70mm Backset
K500.RIM.SC	Digital Lock (Slide Bolt)

Finishes

- SC** - Silver with Stainless Steel Buttons
- DB** - Dark Bronze with Stainless Steel Buttons

Important Note

All standard **Keylex 500** models are supplied complete with outside lock body and inside lever furniture on back plate with free passage turn. The adjustable tubular deadlocking latch is supplied with the lock and provides backset lengths of 60mm or 70mm.

All optional **Keylex 500.RIM** models are supplied complete with outside lock body and inside turn snib on back plate. The slide bolt is an integral part of the inside furniture.

Remote Unlocking

Where remote unlocking of doors is a requirement then it is possible to combine the tubular deadlocking latch with an electric strike.

The **Keylex 500** is compatible with the **5100** Universal Mortice Electric Strike

A dual voltage electric strike with FSE fail secure and FS fail safe selectability.

Finishes

- 5100-689** Aluminium
- 5100-622** Black
- 5100-625** Dark Bronze

Status Monitoring (not available on this model)

