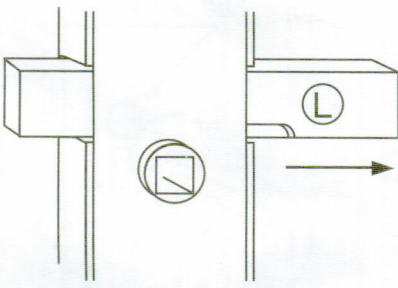
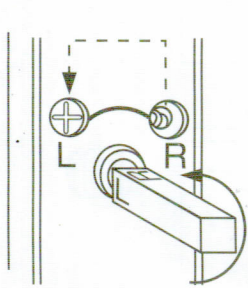
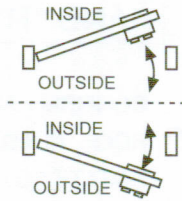


CHANGE HAND TO "L"

AT THE SITE.

SHIFT HAND-SET SCREW TO HAND "L" HOLE FROM "R" HOLE BY SCREW DRIVER. HOLDING THE KNOB STAY AT HAND "L", ROTATE SQ. SPINDLE UNCLOCKWISE AND ADJACENT TO MARK "L"

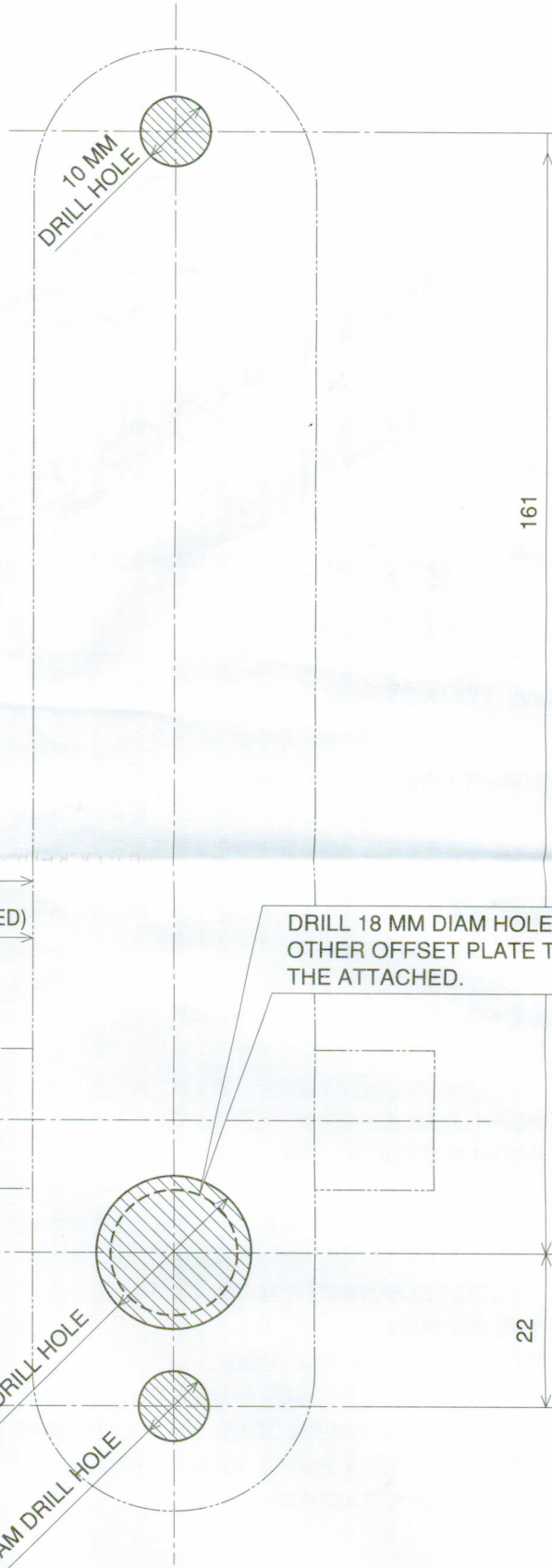
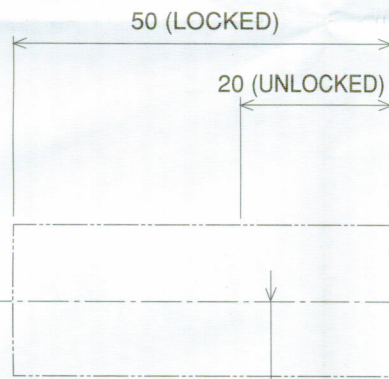
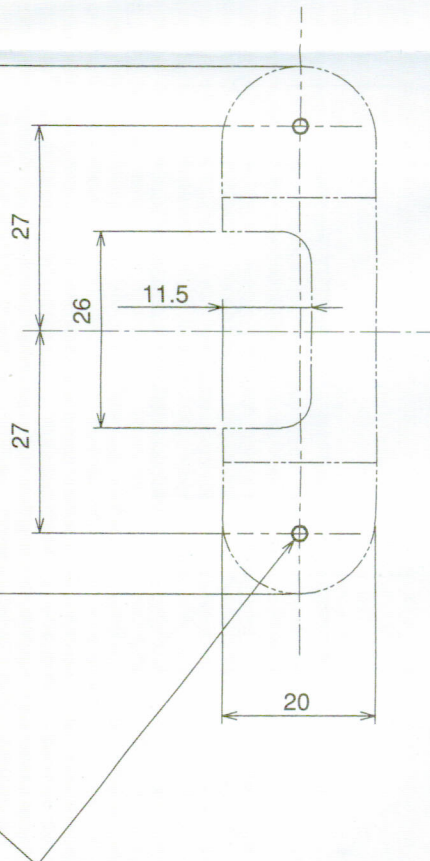
NOTE: SCREW HAND-SET SCREW TIGHTLY SO AS NOT TO LOOSE.



BACK OF MAIN BODY

BACK OF INSIDE BACK PLATE

◎ RIM BOLT STRIKES.



※FOR METAL FRAME DOOR USE PRE-DRILL HOLE.